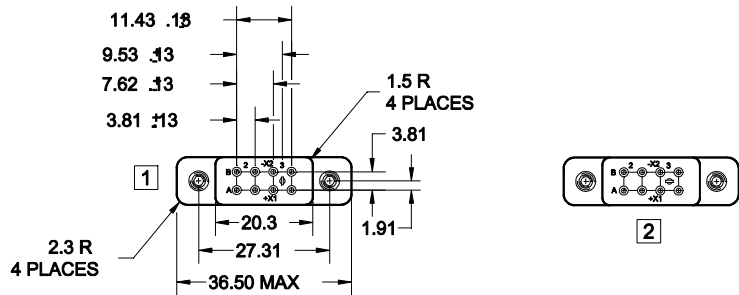
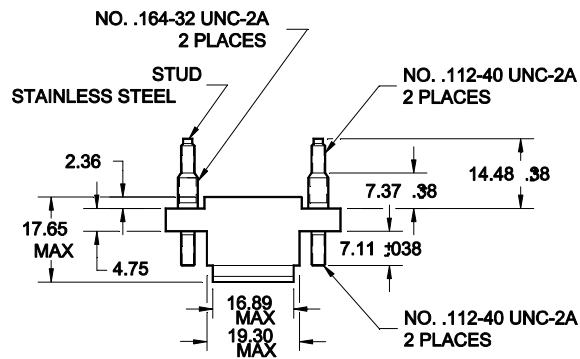


**SOCKET DRAWING / PLAN DU SOCLE**

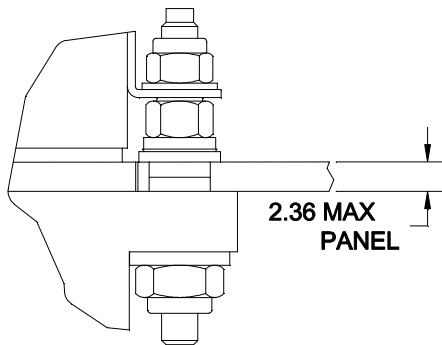


Basic socket series designation for :  
YCL

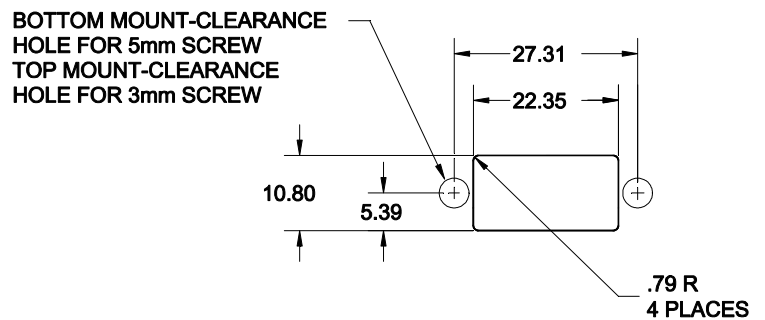
Meets the requirements of :  
MIL-DTL-12883/45



**HARDWARE MOUNTING**  
**DETAIL DE MONTAGE**



**MOUNTING DIMENSIONS**  
**PERCAGE DE LA STRUCTURE**



**GENERAL CHARACTERISTICS**  
**CARACTERISTIQUES GENERALES**

Dimensions in mm  
Tolerances, unless otherwise specified, ±0.25mm

-Supplied with mounting hardware and NO. 20 contacts and crimp for coil code J (SO-1064-10444)

SO-1064-10444 pour relais XA code bobine J. Visserie moulée - fourni avec 8 contacts 20 /20

- Supplied with mounting hardware and NO. 20 contacts and crimp for coil codes F,K (SO-1064-10445)

SO-1064-10445 pour relais XA code bobine F ou K. Visserie moulée - fourni avec 8 contacts 20 /20

<b>Temperature range</b> Température d'utilisation	-70° C to +125° C.
<b>Weight</b> Masse	15g max.

**AMERICAS.**

Tel: +1 714-736-7599

<http://www.esterline.com/powersystems>

**EUROPE.**

Tel: +33 3 87 97 31 01

Fax: +33 3 87 97 96 86

**ASIA**

Tel: +852 2 191 3830

Fax: +852 2 389 5803