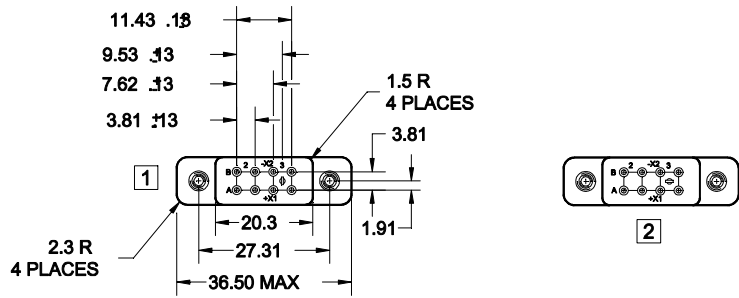
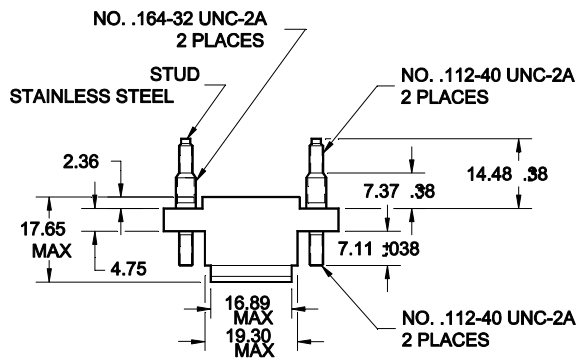


### SOCKET DRAWING / PLAN DU SOCLE

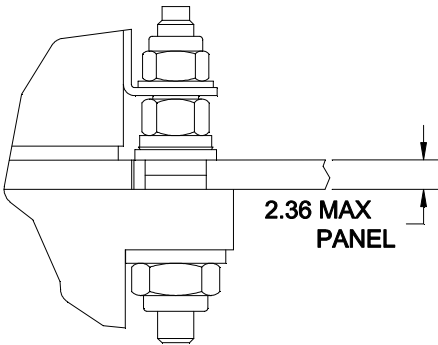


Basic socket series designation for :  
XA

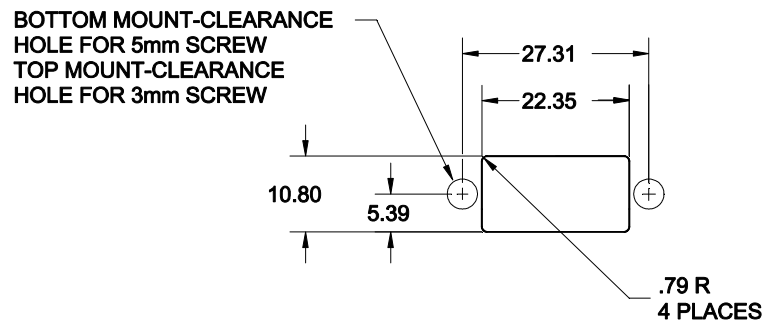
Meets the requirements of :  
MIL-DTL-12883/45



### HARDWARE MOUNTING DETAIL DE MONTAGE



### MOUNTING DIMENSIONS PERCAGE DE LA STRUCTURE



### GENERAL CHARACTERISTICS CARACTERISTIQUES GENERALES

Dimensions in mm  
Tolerances, unless otherwise specified, ±0.25mm

<p>- Supplied with mounting hardware and NO. 20 contacts and crimp for coil code J (SO-1064-10444) SO-1064-10444 pour relais XA code bobine J. Visserie moulée - fourni avec 8 contacts 20 /20</p> <p>- Supplied with mounting hardware and NO. 20 contacts and crimp for coil codes F,K (SO-1064-10445) SO-1064-10445 pour relais XA code bobine F ou K. Visserie moulée - fourni avec 8 contacts 20 /20</p>	
<p><b>Temperature range</b> Température d'utilisation</p>	<p>-70° C to +125° C.</p>
<p><b>Weight</b> Masse</p>	<p>15g max.</p>

**AMERICAS.**  
Tel: +1 714-736-7599  
<http://www.esterline.com/powersystems>

**EUROPE.**  
Tel: +33 3 87 97 31 01  
Fax: +33 3 87 97 96 86

**ASIA**  
Tel: +852 2 191 3830  
Fax: +852 2 389 5803