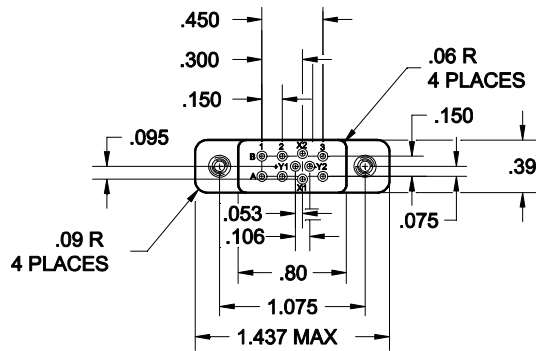
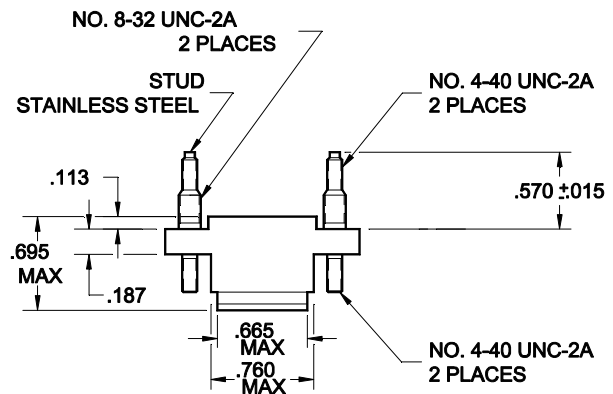


SOCKET DRAWING / PLAN DU SOCLE



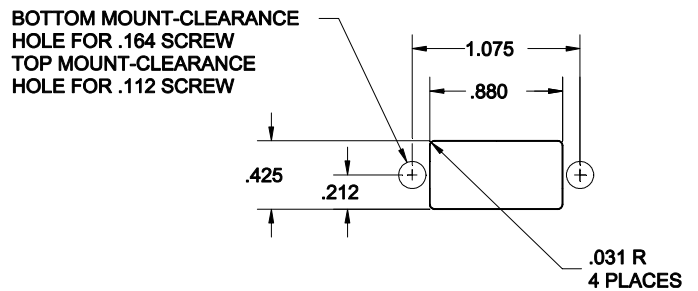
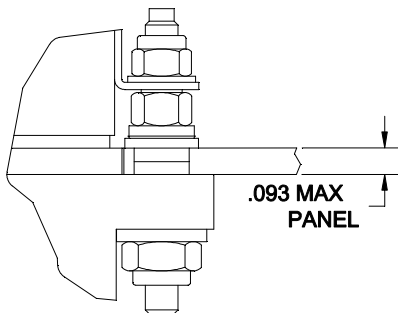
Basic socket series designation for :
M212

Meets the requirements of :
MIL-DTL-12883/45



**HARDWARE MOUNTING
DETAIL DE MONTAGE**

**MOUNTING DIMENSIONS
PERCAGE DE LA STRUCTURE**



**GENERAL CHARACTERISTICS
CARACTERISTIQUES GENERALES**

Dimensions in mm
Tolerances, unless otherwise specified, ±0.25mm

Supplied with mounting hardware and (6) No. 20 contacts, No. 20 crimp for power terminals;
(4) No. 22 contacts, No. 22 crimp for coil terminals
Visserie moulée. Fourni avec 6 contacts 20 / 20 et 4 contacts 22 / 22

Temperature range
Température d'utilisation -70° C to +125° C.

Weight
Masse 15g max.

AMERICAS.
Tel: +1 714-736-7599
<http://www.esterline.com/powersystems>

EUROPE.
Tel: +33 3 87 97 31 01
Fax: +33 3 87 97 96 86

ASIA
Tel: +852 2 191 3830
Fax: +852 2 389 5803