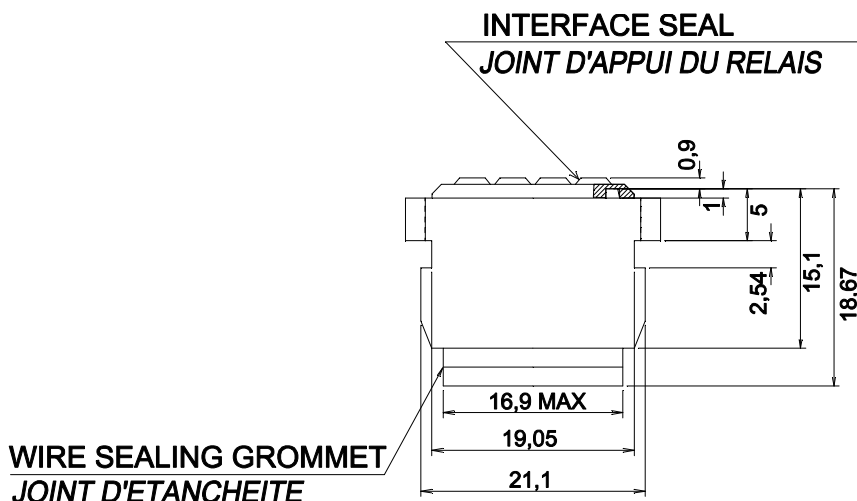


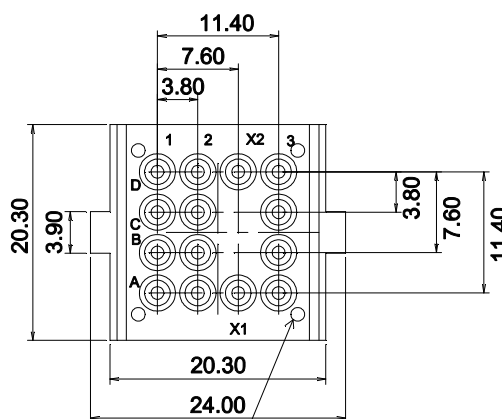
Basic socket series designation for :  
M220 (Track Mount)

Qualified to:  
MIL-DTL-12883/52-002

Applicable track:  
MT-3000-003



WIRE SEALING GROMMET  
JOINT D'ETANCHEITE



MATING RELAY STOP POST  
PLOTS D'APPUI DU RELAIS

Dimensions in mm  
Tolerances, unless otherwise specified,  $\pm 0.12\text{mm}$

**GENERAL CHARACTERISTICS**  
**CARACTERISTIQUES GENERALES**

<b>Weight</b> <i>Poids</i>	14g max.
<b>Used in conjunction with MT-3000-003</b> <i>Utilisé en union avec MT-3000-003</i>	
<b>Supplied with No. 20 contacts and No. 20 crimp.</b> <i>Livré avec contacts No. 20 et</i>	

**AMERICAS.**

Tel: +1 714-736-7599  
<http://www.esterline.com/powersystems>

**EUROPE.**

Tel: +33 3 87 97 31 01  
Fax: +33 3 87 97 96 86

**ASIA**

Tel: +852 2 191 3830  
Fax: +852 2 389 5803