

# ENGINEERING DATA SHEET

# SERIES Z-X9YN

PLUG-IN CONTACTOR  
3 PDT/NO, 100 AMP



Line Replaceable Contactor (LRC)  
Balanced-Force design

Designed to the  
performance standards of

**MIL-PRF-6106**

Contact arrangement

**3 PDT**

## PRINCIPLE TECHNICAL CHARACTERISTICS

Contacts rated at

**28 Vdc and 115/200, 400Hz, 3Ø**

Weight

**2.37lbs max**

Dimensions

**3.63 in. x 3.63 in. x 3.70 in.**

Special units available upon request, including models with auxiliary contacts and center-off contact arrangement.

## CONTACT ELECTRICAL CHARACTERISTICS

Contact rating per pole and load type	Load current in Amps
	115/200 Vac, 400 Hz, 3Ø
Resistive	100
Inductive	100
Motor	65



Featuring **LEACH**® power and control solutions  
[www.esterline.com](http://www.esterline.com)

**AMERICAS**  
6900 Orangethorpe Ave.  
P.O. Box 5032  
Buena Park, CA 90622

Tel: (01) 714-736-7599  
Fax: (01) 714-670-1145

**EUROPE**  
2 Rue Goethe  
57430 Sarralbe  
France

Tel: (33) 3 87 97 31 01  
Fax: (33) 3 87 97 96 86

**ASIA**  
Units 602-603 6/F Lakeside 1  
No.8 Science Park West Avenue  
Phase Two, Hong Kong Science Park  
Pak Shek Kok, Tai Po, N.T.  
Hong Kong  
Tel: (852) 2 191 3830  
Fax: (852) 2 389 5803

Data sheets are for initial product selection and comparison. Contact Esterline Power Systems prior to choosing a component.

**COIL CHARACTERISTICS (Vdc)****SERIES Z-X9YN**

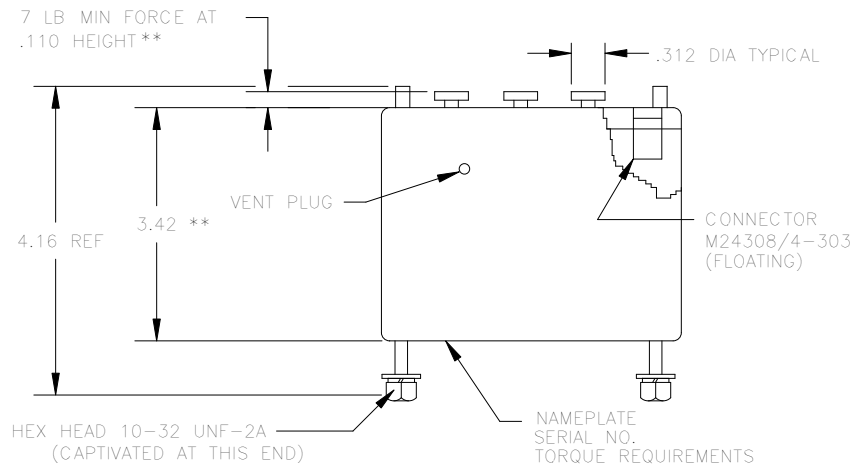
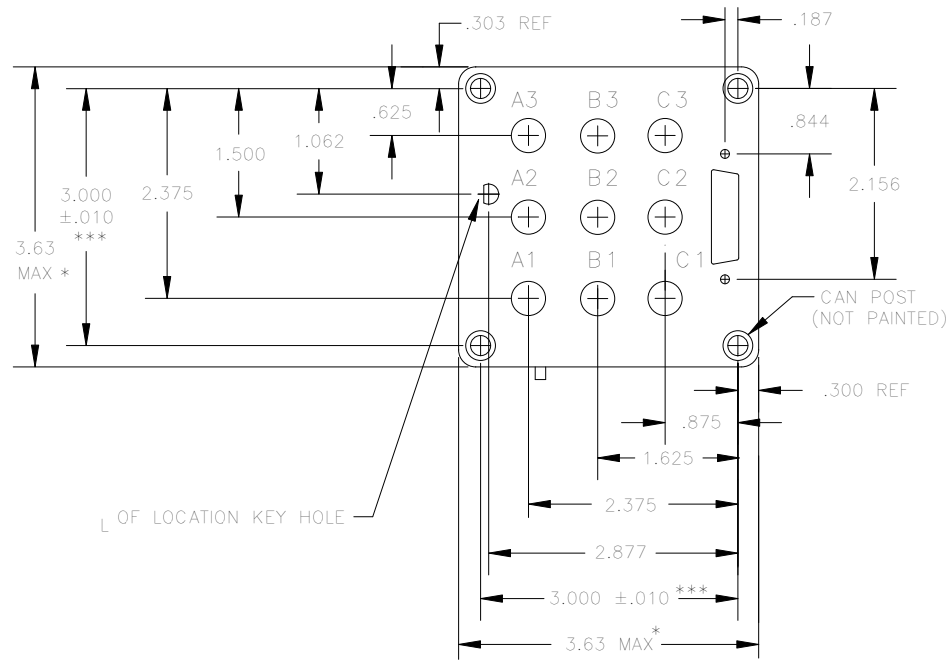
Nominal operating voltage	28 Vdc
Pick-up voltage	18 Vdc
Drop-out voltage	1.5 to 7 Vdc
Maximum pick-up time	50 ms
Maximum drop-out time	20 ms at 28 Vdc
Maximum pick-up current	4 Amp (shall not trip a 5 Amp circuit breaker)
Maximum hold current at 28 Vdc	.27 Amp
Minimum hold voltage	10 Vdc
Coil transient suppression	+/- 45 V max

**GENERAL CHARACTERISTICS**

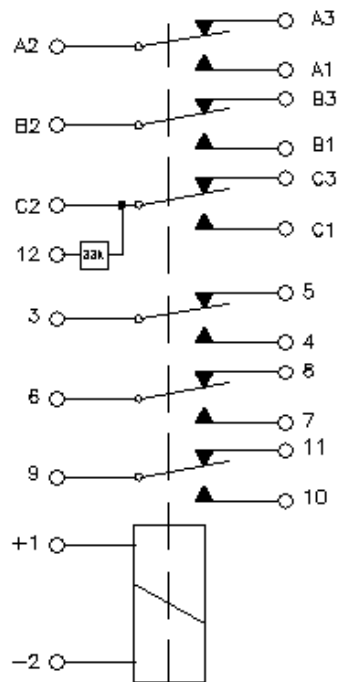
Contact Data	Main Contacts	Aux Contacts
-Configuration	3PDT	3X 1PDT
-Supply voltage	115/200 Vac	28 Vdc
-Continuous current	100 Amp at .65PF	5 Amp resistive
-Rupture current	1000 Amp	-
-Overload	400 Amp	-
-Maximum contact bounce	3 ms	5 ms
-Simultaneous operation	5 ms	5 ms
Electrical life		
-At 45,000 ft	25,000 operations	
-At ambient pressure	25,000 operations	
Mechanical life	100,000 operations	
Altitude	45,000 ft	
Continuous operating temperature range	-15°C to +65°C	

**NUMBERING SYSTEM**

	Z-X9YN - XXX
Basic series designation_____	
Customer configuration_____	



SCHEMATIC



100 A LINE CONTACTOR ELECTRICAL SCHEMATIC